



Message Implementation Guideline

COARRI

based on

COARRI

Container discharge/loading report message

UN D.16A S4

Version: 1
Variant: 2
Issue date: 2017/11/23
Author: SARS EDI TEAM

Change Log:

1.2.a - UNH change EDIFACT directory from D.16B to D.16A

1 Message Structure.....	2
2 Branching Diagram	4
3 Segments	7

Structure / Table of Contents

Counter	No	Tag	St	MaxOcc	Level	Content
0000	1	UNB	M	1	0	Interchange header
0010	2	UNH	M	1	0	Message header
0020	3	BGM	M	1	0	Beginning of message
0050		SG1	C	9	1	RFF
0060	4	RFF	M	1	1	Reference
0080		SG2	M	1	1	TDT-RFF-SG3-SG3
0090	5	TDT	M	1	1	Transport information
0110	6	RFF	C	9	2	PRINCIPAL CARRIER CONVEYANCE NUMBER
0120		SG3	C	9	2	PORT OF DISCHARGE
0130	7	LOC	M	1	2	PORT OF DISCHARGE
0140	8	DTM	C	9	3	ARRIVAL DATE/TIME
0140	9	DTM	C	9	3	DEPARTURE DATE/TIME
0120		SG3	C	9	2	PORT OF LOAD
0130	10	LOC	M	1	2	PORT OF LOAD
0140	11	DTM	C	9	3	ARRIVAL DATE/TIME
0140	12	DTM	C	9	3	DEPARTURE DATE/TIME
0150		SG4	M	9	1	MASTER CARGO CARRIER CODE
0160	13	NAD	M	1	1	MASTER CARGO CARRIER CODE
0200		SG6	C	9999	1	EQD-RFF-RFF-TMD-DTM-SG7-SG7-SG7-MEA-SEL-SG12-NAD
0210	14	EQD	M	1	1	Equipment details
0220	15	RFF	C	9	2	BOOKING NUMBER
0220	16	RFF	C	9	2	EXTERNAL REFERENCE
0240	17	TMD	C	9	2	Transport movement details
0250	18	DTM	C	9	2	Date/time/period
0260		SG7	C	9	2	STOW POSITION
0270	19	LOC	M	1	2	Place/location identification
0260		SG7	C	9	2	PORT OF DISCHARGE
0270	20	LOC	M	1	2	PORT OF DISCHARGE
0260		SG7	C	9	2	PLACE OF DELIVERY
0270	21	LOC	M	1	2	PLACE OF DELIVERY
0290	22	MEA	C	9	2	Measurements
0340	23	SEL	M	4	2	Seal number
0510		SG12	C	1	2	TDT-SG13
0520	24	TDT	M	1	2	Transport information
0540		SG13	C	9	3	LOC
0550	25	LOC	M	1	3	Place/location identification
0570	26	NAD	C	9	2	MASTER CARGO CARRIER CODE
0580	27	CNT	C	1	0	Control total

Counter = Counter of segment/group within the standard
 No = Consecutive segment number
 MaxOcc = Maximum occurrence of the segment/group

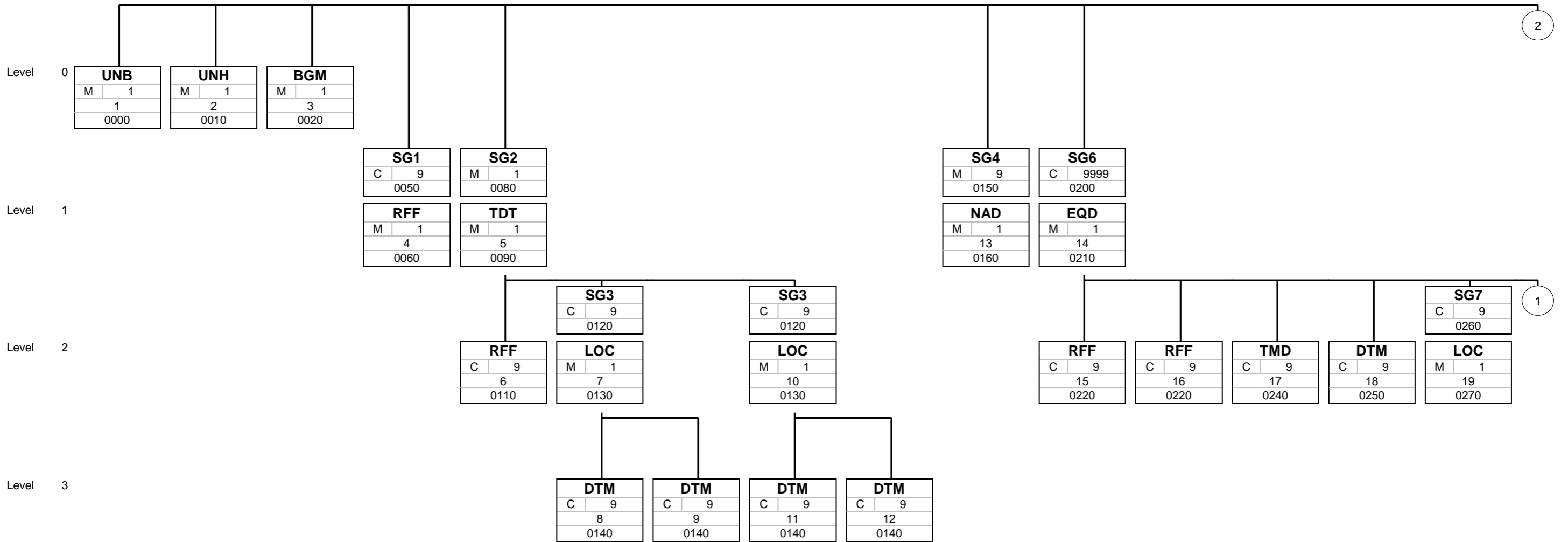
St = Status
 EDIFACT: M=Mandatory, C=Conditional
 User specific: R=Required, O=Optional, D=Dependent,
 A=Advised, N=Not used

Counter	No	Tag	St	MaxOcc	Level	Content
0590	28	UNT	M	1	0	Message trailer
0000	29	UNZ	M	1	0	Interchange trailer

Counter = Counter of segment/group within the standard
No = Consecutive segment number
MaxOcc = Maximum occurrence of the segment/group

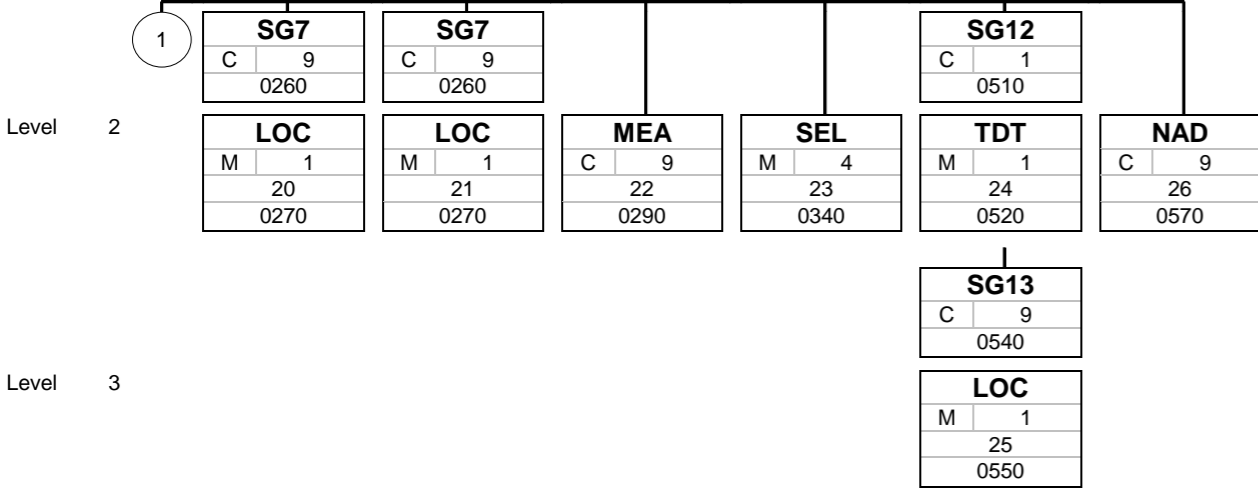
St = Status
EDIFACT: M=Mandatory, C=Conditional
User specific: R=Required, O=Optional, D=Dependent,
A=Advised, N=Not used

Branching Diagram of Used Segments/Groups



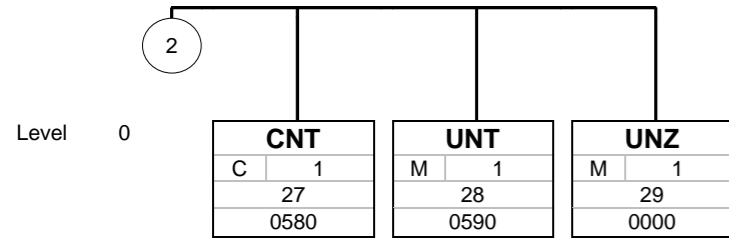
Tag
St MaxOcc
No
Counter

Tag = Segment/Group Tag
 St = Status (M=Mandatory, C=Conditional, R=Required, O=Optional, A=Advised, D=Dependent)
 MaxOcc = Maximum occurrence of the segment/group
 No = Consecutive segment number
 Counter = Counter of segment/group within the standard



Tag
St MaxOcc
No
Counter

Tag = Segment/Group Tag
 St = Status (M=Mandatory, C=Conditional, R=Required, O=Optional, A=Advised, D=Dependent)
 MaxOcc = Maximum occurrence of the segment/group
 No = Consecutive segment number
 Counter = Counter of segment/group within the standard



Tag
St MaxOcc
No
Counter

Tag = Segment/Group Tag
 St = Status (M=Mandatory, C=Conditional, R=Required, O=Optional, A=Advised, D=Dependent)
 MaxOcc = Maximum occurrence of the segment/group
 No = Consecutive segment number
 Counter = Counter of segment/group within the standard

Segments

Counter No	Tag	St	MaxOcc	Level	Name
------------	-----	----	--------	-------	------

0000 1 **UNB** M 1 0 Interchange header

Standard		Implementation		98	270	Business Rules
Tag	Name	St Format	St Format	Usage / Remark		
UNB						
S001	Syntax identifier	M	M			
0001	Syntax identifier	M a4	M a4	UNOB = UN/ECE level B	M	M
0002	Syntax version number	M an1	M an1	4 = Version 4	M	M
0080	Service code list directory version number	C an..6	N	Not used		
0133	Character encoding, coded	C an..3	N	Not used		
0076	Syntax release number	C an2	N	Not used		
S002	Interchange sender	M	M			
0004	Interchange sender identification	M an..35	M an..35	SARS assigned EDI Profile Code including dual code (if applicable)	M	M
0007	Identification code qualifier	C an..4	N	Not used		
0008	Interchange sender internal identification	C an..35	C an..35	Authentication code provided by SARS for EDI profile	M	M
0042	Interchange sender internal sub-identification	C an..35	C an..35	SARS assigned Service Provider Code (Char 1-3) Comms Protocol Code (Char 4-6) AS2 = AS/2 AS3 = AS/3 400 = X.400		
S003	Interchange recipient	M	M			
0010	Interchange recipient identification	M an..35	M an..35	SARSCAR = Production System SARSCART = Test System	M	M
0007	Identification code qualifier	C an..4	N	Not used		
0014	Interchange recipient internal identification	C an..35	N	Not used		
0046	Interchange recipient internal sub-identification	C an..35	N	Not used		
S004	Date and time of preparation	M	M			
0017	Date	M n8	M n8		M	M
0019	Time	M n4	M n4		M	M
0020	Interchange control reference	M an..14	M an..14		M	M
S005	Recipient reference/password details	C	C			
0022	Recipient reference/password	M an..14	M an..14			
0025	Recipient reference/password qualifier	C an2	C an2			
0026	Application reference	C an..14	C an..14	COARRI = Container discharge/loading report	O	O
0029	Processing priority code	C a1	N	Not used		
0031	Acknowledgement request	C n1	C n1	1 = Acknowledgement requested	O	O
0032	Interchange agreement identifier	C an..35	C an..35	Required for X.400	C	C
0035	Test indicator	C n1	C n1	1 = Interchange is a test Omit if Production	C	C

Remark:

Example:

UNB+UNOB:4+12345678ABC::ABCDEFGHIJKLMNPO:SPCAS2+SARSCAR+20170910:0931+1234567890+X:AA+COARRI++1+X4
00 MAILBOX'

No = Consecutive segment number
MaxOcc = Maximum occurrence of the segment/group
Counter = Counter of segment/group within the standard
St = Status
EDIFACT: M=Mandatory, C=Conditional
User specific: M=Mandatory, O=Optional, C=Conditional

Counter	No	Tag	St	MaxOcc	Level	Name
0010	2	UNH	M	1	0	Message header

Tag	Name	Standard		Implementation		Usage / Remark	98	270	Business Rules
		St	Format	St	Format				
UNH									
0062	Message reference number	M	an..14	M	an..14				
S009	Message identifier	M		M					
0065	Message type	M	an..6	M	an..6	COARRI = Container discharge/loading report message			
0052	Message version number	M	an..3	M	an..3	D = Draft version/UN/EDIFACT Directory			
0054	Message release number	M	an..3	M	an..3	16A = Release 2016 - A			
0051	Controlling agency, coded	M	an..3	M	an..3	UN = UN/CEFACT			
0057	Association assigned code	C	an..6	C	an..6	RCG001 = SARS RCG Version 1			
0110	Code list directory version number	C	an..6	N		Not used			
0113	Message type sub-function identification	C	an..6	N		Not used			
0068	Common access reference	C	an..35	N		Not used			
S010	Status of the transfer	C		N		Not used			
0070	Sequence of transfers	M	n..2	N		Not used			
0073	First and last transfer	C	a1	N		Not used			
S016	Message subset identification	C		N		Not used			
0115	Message subset identification	M	an..14	N		Not used			
0116	Message subset version number	C	an..3	N		Not used			
0118	Message subset release number	C	an..3	N		Not used			
0051	Controlling agency, coded	C	an..3	N		Not used			
S017	Message implementation guideline identification	C		N		Not used			
0121	Message implementation guideline identification	M	an..14	N		Not used			
0122	Message implementation guideline version number	C	an..3	N		Not used			
0124	Message implementation guideline release number	C	an..3	N		Not used			
0051	Controlling agency, coded	C	an..3	N		Not used			
S018	Scenario identification	C		N		Not used			
0127	Scenario identification	M	an..14	N		Not used			
0128	Scenario version number	C	an..3	N		Not used			
0130	Scenario release number	C	an..3	N		Not used			
0051	Controlling agency, coded	C	an..3	N		Not used			

Remark:

Example:

UNH+1212121212+COARRI:D:16A:UN:RCG001'

Counter No	Tag	St	MaxOcc	Level	Name	
0020	3	BGM	M	1	0	Beginning of message

		Standard	Implementation		98	270	Business Rules
Tag	Name	St Format	St Format	Usage / Remark			
BGM							
C002	Document/message name	C	C				
1001	Document name code	C an..3	M an..3	DOCUMENT TYPE 98 = Arrival information 270 = Delivery note	M	M	
1131	Code list identification code	C an..17	N	Not used			
3055	Code list responsible agency code	C an..3	N	Not used			
1000	Document name	C an..35	N	Not used			
C106	Document/message identification	C	C				
1004	Document identifier	C an..70	M an..35	DOCUMENT NUMBER A unique reference number assigned to the electronic document.	M	M	
1056	Version identifier	C an..9	N	Not used			
1060	Revision identifier	C an..6	N	Not used			
1225	Message function code	C an..3	C an..3	MESSAGE FUNCTION 9 = Original 22 = Final transmission 1 = Cancellation 4 = Change	M	M	
4343	Response type code	C an..3	N	Not used			
1373	Document status code	C an..3	N	Not used			
3453	Language name code	C an..3	N	Not used			

Remark:

Example:

BGM+98+111222333444555+9'

No = Consecutive segment number
 MaxOcc = Maximum occurrence of the segment/group
 Counter = Counter of segment/group within the standard
 St = Status
 EDIFACT: M=Mandatory, C=Conditional
 User specific: M=Mandatory, O=Optional, C=Conditional

Counter No	Tag	St	MaxOcc	Level	Name
0050	SG1	C	9	1	RFF
0060	4 RFF	M	1	1	Reference

		Standard	Implementation		98	270	Business Rules
Tag	Name	St Format	St Format	Usage / Remark			
RFF					C	C	
C506	Reference	M	M				
1153	Reference code qualifier	M an..3	M an..3	ACW = Reference number to previous message			
1154	Reference identifier	C an..70	C an..35	Mandatory for change / cancellation DOCUMENT TO BE AMENDED	C	C	
1156	Document line identifier	C an..6	N	Not used			
1056	Version identifier	C an..9	N	Not used			
1060	Revision identifier	C an..6	N	Not used			

Remark:

Example:
RFF+ACW:111222333444554'

Counter No	Tag	St	MaxOcc	Level	Name
0080	SG2	M	1	1	TDT-RFF-SG3
0090	5 TDT	M	1	1	Transport information

		Standard	Implementation		98	270	Business Rules
Tag	Name	St Format	St Format	Usage / Remark			
TDT							
8051	Transport stage code qualifier	M an..3	M an..3	20 = Main-carriage transport			
8028	Means of transport journey identifier	C an..17	M an..17	CONVEYANCE NUMBER	M	M	The voyage or flight number assigned by a Carrier and which appear on the bill of lading / air waybills issued by the carrier
C220	Mode of transport	C	C				
8067	Transport mode name code	C an..3	M an..3	TRANSPORT CODE 1 = Maritime transport	M	M	
8066	Transport mode name	C an..17	N	Not used			
C001	Transport means	C	N				
8179	Transport means description code	C an..8	N	Not used			
1131	Code list identification code	C an..17	N	Not used			
3055	Code list responsible agency code	C an..3	N	Not used			
8178	Transport means description	C an..17	N	Not used			
C040	Carrier	C	C				
3127	Carrier identifier	C an..17	M an..17	CARRIER CODE https://tools.sars.gov.za/ACM_code_Tables/Carrier*.csv	M	M	The BIC, SCAC, IATA or SARS-assigned code of a shipping line, airline, rail carrier or road carrier carrying on business by transporting goods for reward or transporting goods in the course of conducting its business. For rail use "TFR"
1131	Code list identification code	C an..17	C an..17	172 = Carrier code			
3055	Code list responsible agency code	C an..3	C an..3	20 = BIC (Bureau International des Containeurs) 87 = Assigned by carrier 166 = US, National Motor Freight Classification Association			
3126	Carrier name	C an..35	N	Not used			
8101	Transit direction indicator code	C an..3	N	Not used			
C401	Excess transportation information	C	N				
8457	Excess transportation reason code	M an..3	N	Not used			
8459	Excess transportation responsibility code	M an..3	N	Not used			
7130	Customer shipment authorisation identifier	C an..17	N	Not used			
C222	Transport identification	C	C				
8213	Transport means identification name identifier	C an..35	M an..9	TRANSPORT ID https://tools.sars.gov.za/ACM_code_Tables/Transport*.csv	M	M	The Radio Call Sign of the vessel
1131	Code list identification code	C an..17	C an..17	103 = Radio call sign 146 = Lloyd's register of ships			
3055	Code list responsible agency code	C an..3	N	Not used			
8212	Transport means identification name	C an..70	C an..35	TRANSPORT NAME	O	O	
8453	Transport means nationality code	C an..3	N	Not used			
8281	Transport means ownership indicator code	C an..3	N	Not used			
C003	Power type	C	N				
7041	Power type code	C an..3	N	Not used			
1131	Code list identification code	C an..17	N	Not used			
3055	Code list responsible agency code	C an..3	N	Not used			

No = Consecutive segment number
 MaxOcc = Maximum occurrence of the segment/group
 Counter = Counter of segment/group within the standard

St = Status
 EDIFACT: M=Mandatory, C=Conditional
 User specific: M=Mandatory, O=Optional, C=Conditional

Standard		Implementation					
Tag	Name	St Format	St Format	Usage / Remark	98	270	Business Rules
7040	Power type description	C an..17	N	Not used			

Remark:

Example:
TDT+20+FDHG65547658648+1++ABCD::20+++DGFD43:::BIG SHIP'

No = Consecutive segment number
 MaxOcc = Maximum occurrence of the segment/group
 Counter = Counter of segment/group within the standard
 St = Status
 EDIFACT: M=Mandatory, C=Conditional
 User specific: M=Mandatory, O=Optional, C=Conditional

Counter No	Tag	St	MaxOcc	Level	Name
0080	SG2	M	1	1	TDT-RFF-SG3
0110	6 RFF	C	9	2	PRINCIPAL CARRIER CONVEYANCE NUMBER

		Standard	Implementation		98	270	Business Rules
Tag	Name	St Format	St Format	Usage / Remark			
RFF							
C506	Reference	M	M				
1153	Reference code qualifier	M an..3	M an..3	AOH = Principal's reference			
1154	Reference identifier	C an..70	M an..17	PRINCIPAL CARRIER CONVEYANCE NUMBER	M	M	The voyage or flight number assigned by the Carrier who owns, operates or leases the means of transport on which the goods are transported.
1156	Document line identifier	C an..6	N	Not used			
1056	Version identifier	C an..9	N	Not used			
1060	Revision identifier	C an..6	N	Not used			

Remark:
 Example:
 RFF+AOH:FKJHDF765675'

Counter No	Tag	St	MaxOcc	Level	Name
0120	SG3	C	9	2	PORT OF DISCHARGE
0130	7 LOC	M	1	2	PORT OF DISCHARGE

		Standard	Implementation		98	270	Business Rules
Tag	Name	St Format	St Format	Usage / Remark			
LOC							
3227	Location function code qualifier	M an..3	M an..3	11 = Place of discharge			
C517	Location identification	C	C				
3225	Location identifier	C an..35	C an5	PORT OF DISCHARGE UNLOCODE	M		
1131	Code list identification code	C an..17	N	Not used			
3055	Code list responsible agency code	C an..3	N	Not used			
3224	Location name	C an..256	N	Not used			
C519	Related location one identification	C	C				
3223	First related location identifier	C an..35	C an..25	TERMINAL OF DISCHARGE/LOAD	M		
1131	Code list identification code	C an..17	N	Not used			
3055	Code list responsible agency code	C an..3	C an..3	ZZZ = South African Revenue Service			
3222	First related location name	C an..70	N	Not used			
C553	Related location two identification	C	N				
3233	Second related location identifier	C an..35	N	Not used			
1131	Code list identification code	C an..17	N	Not used			
3055	Code list responsible agency code	C an..3	N	Not used			
3232	Second related location name	C an..70	N	Not used			
5479	Relation code	C an..3	N	Not used			

Remark:

Example:

LOC+11+ZADUR+08::ZZZ'

Counter No	Tag	St	MaxOcc	Level	Name
0120	SG3	C	9	2	PORT OF DISCHARGE
0140	8 DTM	C	9	3	ARRIVAL DATE/TIME

		Standard	Implementation		98	270	Business Rules
Tag	Name	St Format	St Format	Usage / Remark			
DTM							
C507	Date/time/period	M	M				
2005	Date or time or period function code qualifier	M an..3	M an..3	132 = Transport means arrival date time, estimated			
2380	Date or time or period text	C an..35	C n12	ARRIVAL DATE/TIME	M	O	
2379	Date or time or period format code	C an..3	C an..3	203 = CCYYMMDDHHMM			

Remark:

Example:

DTM+132:201709101010:203'

Counter No	Tag	St	MaxOcc	Level	Name
0120	SG3	C	9	2	PORT OF DISCHARGE
0140	9 DTM	C	9	3	DEPARTURE DATE/TIME

		Standard	Implementation		98	270	Business Rules
Tag	Name	St Format	St Format	Usage / Remark			
DTM							
C507	Date/time/period	M	M				
2005	Date or time or period function code qualifier	M an..3	M an..3	133 = Transport means departure date/time, estimated			
2380	Date or time or period text	C an..35	C n12	DEPARTURE DATE/TIME	O	M	Date / Time of the departure of the means of transport
2379	Date or time or period format code	C an..3	C an..3	203 = CCYYMMDDHHMM			

Remark:

Example:
DTM+133:201709101010:203'

Counter No	Tag	St	MaxOcc	Level	Name
0120	SG3	C	9	2	PORT OF LOAD
0130 10	LOC	M	1	2	PORT OF LOAD

		Standard	Implementation		98	270	Business Rules
Tag	Name	St Format	St Format	Usage / Remark			
LOC							
3227	Location function code qualifier	M an..3	M an..3	9 = Place of loading			
C517	Location identification	C	C				
3225	Location identifier	C an..35	C an5	PORT OF LOAD UNLOCODE		M	
1131	Code list identification code	C an..17	N	Not used			
3055	Code list responsible agency code	C an..3	N	Not used			
3224	Location name	C an..256	N	Not used			
C519	Related location one identification	C	C				
3223	First related location identifier	C an..35	C an..25	TERMINAL OF DISCHARGE/LOAD		M	Facility code assigned by SARS to the terminal where the cargo will be discharged or loaded
1131	Code list identification code	C an..17	N	Not used			
3055	Code list responsible agency code	C an..3	C an..3	ZZZ = South African Revenue Service			
3222	First related location name	C an..70	N	Not used			
C553	Related location two identification	C	N				
3233	Second related location identifier	C an..35	N	Not used			
1131	Code list identification code	C an..17	N	Not used			
3055	Code list responsible agency code	C an..3	N	Not used			
3232	Second related location name	C an..70	N	Not used			
5479	Relation code	C an..3	N	Not used			

Remark:

Example:

LOC+9+ZADUR+08::ZZZ'

Counter No	Tag	St	MaxOcc	Level	Name
0120	SG3	C	9	2	PORT OF LOAD
0140 11	DTM	C	9	3	ARRIVAL DATE/TIME

		Standard	Implementation		98	270	Business Rules
Tag	Name	St Format	St Format	Usage / Remark			
DTM							
C507	Date/time/period	M	M				
2005	Date or time or period function code qualifier	M an..3	M an..3	132 = Transport means arrival date time, estimated			
2380	Date or time or period text	C an..35	C n12	ARRIVAL DATE/TIME	M	O	Date / Time of arrival of the vessel
2379	Date or time or period format code	C an..3	C an..3	203 = CCYYMMDDHHMM			

Remark:

Example:

DTM+132:201709101010:203'

Counter No	Tag	St	MaxOcc	Level	Name
0120	SG3	C	9	2	PORT OF LOAD
0140 12	DTM	C	9	3	DEPARTURE DATE/TIME

		Standard	Implementation		98	270	Business Rules
Tag	Name	St Format	St Format	Usage / Remark			
DTM							
C507	Date/time/period	M	M				
2005	Date or time or period function code qualifier	M an..3	M an..3	133 = Transport means departure date/time, estimated			
2380	Date or time or period text	C an..35	C n12	DEPARTURE DATE/TIME	O	M	The date / time that the vessel departed
2379	Date or time or period format code	C an..3	C an..3	203 = CCYYMMDDHHMM			

Remark:

Example:
DTM+133:201709101010:203'

Counter No	Tag	St	MaxOcc	Level	Name
0150	SG4	M	9	1	MASTER CARGO CARRIER CODE
0160 13	NAD	M	1	1	MASTER CARGO CARRIER CODE

		Standard	Implementation		98	270	Business Rules
Tag	Name	St Format	St Format	Usage / Remark			
NAD							
3035	Party function code qualifier	M an..3	M an..3	CA = Carrier CF = Container operator/lessee			
C082	Party identification details	C	C				
3039	Party identifier	M an..35	M an..17	MASTER CARGO CARRIER CODE Code list: https://tools.sars.gov.za/ACM_code_Tables/MasterCargoCarrier.csv	M	M	The BIC, SCAC or SARS-assigned code of the Carrier that issued the Master / Ocean Bill of Lading The IATA or SARS-assigned code of the Carrier that issued the Master Air Waybill. The SARS-assigned code of the Carrier that reports the Road Freight Manifest The SARS-assigned code "TFR" for Transnet Freight Rail as Rail Carrier For courier cargo where the courier has an IATA airline code reflect that code here. Where the courier does not have an IATA airline code reflect code "000" here The SARS-assigned code of the Broker where a Master House is reported – i.e. in the case of sub-consolidations
1131	Code list identification code	C an..17	C an..17	160 = Party ID			
3055	Code list responsible agency code	C an..3	N	Not used			
C058	Name and address	C	N				
3124	Name and address description	M an..35	N	Not used			
3124	Name and address description	C an..35	N	Not used			
3124	Name and address description	C an..35	N	Not used			
3124	Name and address description	C an..35	N	Not used			
3124	Name and address description	C an..35	N	Not used			
C080	Party name	C	N				
3036	Party name	M an..70	N	Not used			
3036	Party name	C an..70	N	Not used			
3036	Party name	C an..70	N	Not used			
3036	Party name	C an..70	N	Not used			
3036	Party name	C an..70	N	Not used			
3045	Party name format code	C an..3	N	Not used			
C059	Street	C	N				
3042	Street and number or post office box identifier	M an..35	N	Not used			
3042	Street and number or post office box identifier	C an..35	N	Not used			
3042	Street and number or post office box identifier	C an..35	N	Not used			
3042	Street and number or post office box identifier	C an..35	N	Not used			
3164	City name	C an..35	N	Not used			
C819	Country subdivision details	C	N				
3229	Country subdivision identifier	C an..9	N	Not used			
1131	Code list identification code	C an..17	N	Not used			
3055	Code list responsible agency code	C an..3	N	Not used			
3228	Country subdivision name	C an..70	N	Not used			

No = Consecutive segment number
 MaxOcc = Maximum occurrence of the segment/group
 Counter = Counter of segment/group within the standard
 St = Status
 EDIFACT: M=Mandatory, C=Conditional
 User specific: M=Mandatory, O=Optional, C=Conditional

		Standard	Implementation				
Tag	Name	St Format	St Format	Usage / Remark	98	270	Business Rules
3251	Postal identification code	C an..17	N	Not used			
3207	Country identifier	C an..3	N	Not used			

Remark:

Example:

NAD+CA+WXYZ:160'

Counter No	Tag	St	MaxOcc	Level	Name
0200	SG6	C	9999	1	EQD-RFF-TMD-DTM-SG7-MEA-SEL-SG12-NAD
0210 14	EQD	M	1	1	Equipment details

Standard		Implementation			98	270	Business Rules
Tag	Name	St Format	St Format	Usage / Remark			
EQD							
8053	Equipment type code qualifier	M an..3	M an..3	CN = Container			
C237	Equipment identification	C	C				
8260	Equipment identifier	C an..17	C an..17	CONTAINER NUMBER	M	M	
1131	Code list identification code	C an..17	N	Not used			
3055	Code list responsible agency code	C an..3	N	Not used			
3207	Country identifier	C an..3	N	Not used			
C224	Equipment size and type	C	C				
8155	Equipment size and type description code	C an..10	C an4	CONTAINER SIZE/TYPE	O	O	
1131	Code list identification code	C an..17	C an..17	102 = Size and type			
3055	Code list responsible agency code	C an..3	C an..3	5 = ISO (International Organization for Standardization)			
8154	Equipment size and type description	C an..35	N	Not used			
8077	Equipment supplier code	C an..3	N	Not used			
8249	Equipment status code	C an..3	C an..3	LANDED PURPOSE 2 = Export 3 = Import 5 = Shifter 6 = Transshipment 7 = Shortlanded 8 = Overlanded	M	M	
8169	Full or empty indicator code	C an..3	M an..3	SERVICE TYPE/FULL-EMPTY IND 4 = Empty 5 = Full 7 = Full, mixed consignment 8 = Full, single consignment CON = SERVICE TYPE/FULL-EMPTY IND	M	M	
4233	Marking instructions code	C an..3	N	Not used			

Remark:

Example:

EQD+CN+NONU-1234567+1010::5++2+4'

No = Consecutive segment number
 MaxOcc = Maximum occurrence of the segment/group
 Counter = Counter of segment/group within the standard

St = Status
 EDIFACT: M=Mandatory, C=Conditional
 User specific: M=Mandatory, O=Optional, C=Conditional

Counter No	Tag	St	MaxOcc	Level	Name
0200	SG6	C	9999	1	EQD-RFF-TMD-DTM-SG7-MEA-SEL-SG12-NAD
0220 15	RFF	C	9	2	BOOKING NUMBER

		Standard	Implementation		98	270	Business Rules
Tag	Name	St Format	St Format	Usage / Remark			
RFF							
C506	Reference	M	M				
1153	Reference code qualifier	M an..3	M an..3	BN = Consignment identifier, carrier assigned			
1154	Reference identifier	C an..70	C an..35	BOOKING NUMBER		M	
1156	Document line identifier	C an..6	N	Not used			
1056	Version identifier	C an..9	N	Not used			
1060	Revision identifier	C an..6	N	Not used			

Remark:

Example:
RFF+BN: BK123456789'

No = Consecutive segment number
 MaxOcc = Maximum occurrence of the segment/group
 Counter = Counter of segment/group within the standard
 St = Status
 EDIFACT: M=Mandatory, C=Conditional
 User specific: M=Mandatory, O=Optional, C=Conditional

Counter No	Tag	St	MaxOcc	Level	Name
0200	SG6	C	9999	1	EQD-RFF-TMD-DTM-SG7-MEA-SEL-SG12-NAD
0220 16	RFF	C	9	2	EXTERNAL REFERENCE

		Standard	Implementation		98	270	Business Rules
Tag	Name	St Format	St Format	Usage / Remark			
RFF							
C506	Reference	M	M				
1153	Reference code qualifier	M an..3	M an..3	CV = Container operators reference number			
1154	Reference identifier	C an..70	C an..35	EXTERNAL REFERENCE	O	O	
1156	Document line identifier	C an..6	N	Not used			
1056	Version identifier	C an..9	N	Not used			
1060	Revision identifier	C an..6	N	Not used			

Remark:

Example:
RFF+CV:MYREF1234'

Counter No	Tag	St	MaxOcc	Level	Name
0200	SG6	C	9999	1	EQD-RFF-TMD-DTM-SG7-MEA-SEL-SG12-NAD
0240 17	TMD	C	9	2	Transport movement details

		Standard	Implementation		98	270	Business Rules
Tag	Name	St Format	St Format	Usage / Remark			
TMD							
C219	Movement type	C	C				
8335	Movement type description code	C an..3	C an..3	2 = LCL/LCL 3 = FCL/FCL 4 = FCL/LCL 5 = LCL/FCL			
8334	Movement type description	C an..35	N	Not used			
8332	Equipment plan description	C an..26	N	Not used			
8341	Haulage arrangements code	C an..3	N	Not used			

Remark:

Example:

TMD+2'

Counter No	Tag	St	MaxOcc	Level	Name
0200	SG6	C	9999	1	EQD-RFF-TMD-DTM-SG7-MEA-SEL-SG12-NAD
0250 18	DTM	C	9	2	Date/time/period

		Standard	Implementation		98	270	Business Rules
Tag	Name	St Format	St Format	Usage / Remark			
DTM							
C507	Date/time/period	M	M				
2005	Date or time or period function code qualifier	M an..3	M an..3	203 = Execution date/time, requested			
2380	Date or time or period text	C an..35	M n12	DATE/TIME DISCHARGED/LOADED	M	M	The date / time that the vessel has been discharged / loaded
2379	Date or time or period format code	C an..3	C an..3	203 = CCYYMMDDHHMM			

Remark:

Example:

DTM+203:201709142009:203'

Counter No	Tag	St	MaxOcc	Level	Name
0260	SG7	C	9	2	STOW POSITION
0270 19	LOC	M	1	2	Place/location identification

		Standard	Implementation		98	270	Business Rules
Tag	Name	St Format	St Format	Usage / Remark			
LOC							
3227	Location function code qualifier	M an..3	M an..3	147 = Transport means stowage location			
C517	Location identification	C	C				
3225	Location identifier	C an..35	C an..25	STOW POSITION	O	O	
1131	Code list identification code	C an..17	N	Not used			
3055	Code list responsible agency code	C an..3	N	Not used			
3224	Location name	C an..256	N	Not used			
C519	Related location one identification	C	N				
3223	First related location identifier	C an..35	N	Not used			
1131	Code list identification code	C an..17	N	Not used			
3055	Code list responsible agency code	C an..3	N	Not used			
3222	First related location name	C an..70	N	Not used			
C553	Related location two identification	C	N				
3233	Second related location identifier	C an..35	N	Not used			
1131	Code list identification code	C an..17	N	Not used			
3055	Code list responsible agency code	C an..3	N	Not used			
3232	Second related location name	C an..70	N	Not used			
5479	Relation code	C an..3	N	Not used			

Remark:

Example:

LOC+147+12345'

Counter No	Tag	St	MaxOcc	Level	Name
0260	SG7	C	9	2	PORT OF DISCHARGE
0270 20	LOC	M	1	2	PORT OF DISCHARGE

		Standard	Implementation		98	270	Business Rules
Tag	Name	St Format	St Format	Usage / Remark			
LOC							
3227	Location function code qualifier	M an..3	M an..3	11 = Place of discharge			
C517	Location identification	C	C				
3225	Location identifier	C an..35	C an5	PORT OF DISCHARGE		O	
1131	Code list identification code	C an..17	C an..17	139 = Port			
3055	Code list responsible agency code	C an..3	C an..3	6 = UN/ECE (United Nations - Economic Commission for Europe)			
3224	Location name	C an..256	N	Not used			
C519	Related location one identification	C	N				
3223	First related location identifier	C an..35	N	Not used			
1131	Code list identification code	C an..17	N	Not used			
3055	Code list responsible agency code	C an..3	N	Not used			
3222	First related location name	C an..70	N	Not used			
C553	Related location two identification	C	N				
3233	Second related location identifier	C an..35	N	Not used			
1131	Code list identification code	C an..17	N	Not used			
3055	Code list responsible agency code	C an..3	N	Not used			
3232	Second related location name	C an..70	N	Not used			
5479	Relation code	C an..3	N	Not used			

Remark:

Example:

LOC+11+ZADUR: : 6'

Counter No	Tag	St	MaxOcc	Level	Name
0260	SG7	C	9	2	PLACE OF DELIVERY
0270 21	LOC	M	1	2	PLACE OF DELIVERY

		Standard	Implementation		98	270	Business Rules
Tag	Name	St Format	St Format	Usage / Remark			
LOC							
3227	Location function code qualifier	M an..3	M an..3	7 = Place of delivery			
C517	Location identification	C	C				
3225	Location identifier	C an..35	C an5	PLACE OF DELIVERY		O	
1131	Code list identification code	C an..17	C an..17	139 = Port			
3055	Code list responsible agency code	C an..3	C an..3	6 = UN/ECE (United Nations - Economic Commission for Europe)			
3224	Location name	C an..256	N	Not used			
C519	Related location one identification	C	N				
3223	First related location identifier	C an..35	N	Not used			
1131	Code list identification code	C an..17	N	Not used			
3055	Code list responsible agency code	C an..3	N	Not used			
3222	First related location name	C an..70	N	Not used			
C553	Related location two identification	C	N				
3233	Second related location identifier	C an..35	N	Not used			
1131	Code list identification code	C an..17	N	Not used			
3055	Code list responsible agency code	C an..3	N	Not used			
3232	Second related location name	C an..70	N	Not used			
5479	Relation code	C an..3	N	Not used			

Remark:

Example:

LOC+7+ZAJNB : : 6'

Counter No	Tag	St	MaxOcc	Level	Name
0200	SG6	C	9999	1	EQD-RFF-TMD-DTM-SG7-MEA-SEL-SG12-NAD
0290 22	MEA	C	9	2	Measurements

		Standard	Implementation		98	270	Business Rules
Tag	Name	St Format	St Format	Usage / Remark			
MEA							
6311	Measurement purpose code qualifier	M an..3	M an..3	AAE = Measurement			
C502	Measurement details	C	C				
6313	Measured attribute code	C an..3	C an..3	AET = Transport equipment gross weight			
6321	Measurement significance code	C an..3	N	Not used			
6155	Non-discrete measurement name code	C an..17	N	Not used			
6154	Non-discrete measurement name	C an..70	N	Not used			
C174	Value/range	C	C				
6411	Measurement unit code	C an..8	C an3	UNIT OF MEASURE KGM = kilogram	O	O	
6314	Measure	C an..18	C n..18	GROSS WEIGHT Gross weight in kg (tare weight for empty containers). Gross weight is the sum of cargo weight and container (equipment) weight. No decimals.	O	O	
6162	Range minimum quantity	C n..18	N	Not used			
6152	Range maximum quantity	C n..18	N	Not used			
6432	Significant digits quantity	C n..2	N	Not used			
7383	Surface or layer code	C an..3	N	Not used			

Remark:

Example:

MEA+AAE+AET+KGM:1000'

No = Consecutive segment number

MaxOcc = Maximum occurrence of the segment/group

Counter = Counter of segment/group within the standard

St = Status

EDIFACT: M=Mandatory, C=Conditional

User specific: M=Mandatory, O=Optional, C=Conditional

Counter No	Tag	St	MaxOcc	Level	Name
0200	SG6	C	9999	1	EQD-RFF-TMD-DTM-SG7-MEA-SEL-SG12-NAD
0340 23	SEL	M	4	2	Seal number

		Standard	Implementation		98	270	Business Rules
Tag	Name	St Format	St Format	Usage / Remark			
SEL							
9308	Transport unit seal identifier	C an..35	M an..35	SEAL NUMBER	M	M	
C215	Seal issuer	C	C				
9303	Sealing party name code	C an..3	C an..3	AC = Quarantine agency CA = Carrier CU = Customs SH = Shipper TO = Terminal operator	O	O	
1131	Code list identification code	C an..17	N	Not used			
3055	Code list responsible agency code	C an..3	N	Not used			
9302	Sealing party name	C an..35	N	Not used			
4517	Seal condition code	C an..3	N	Not used			
C208	Identity number range	C	N				
7402	Object identifier	M an..35	N	Not used			
7402	Object identifier	C an..35	N	Not used			
4525	Seal type code	C an..3	N	Not used			

Remark:

Example:

SEL+SFDS3242987JHGH+CA'

Counter No	Tag	St	MaxOcc	Level	Name
0510	SG12	C	1	2	TDT-SG13
0520 24	TDT	M	1	2	Transport information

		Standard	Implementation		98	270	Business Rules
Tag	Name	St Format	St Format	Usage / Remark			
TDT							
8051	Transport stage code qualifier	M an..3	M an..3	30 = On-carriage transport			
8028	Means of transport journey identifier	C an..17	O an..17	ON/PRE-CONVEYANCE NUMBER	O	O	In the case of transshipment cargo – the conveyance number assigned by the principal carrier to the voyage on which the goods entered the Republic, or to the voyage on which the goods is to leave the Republic, as applicable
C220	Mode of transport	C	C				
8067	Transport mode name code	C an..3	C an..3	ON/PRE-TRANSPORT CODE 1 = Maritime transport 2 = Rail transport 3 = Road transport 4 = Air transport	O	O	For sea transshipments use code "1"
8066	Transport mode name	C an..17	N	Not used			
C001	Transport means	C	N				
8179	Transport means description code	C an..8	N	Not used			
1131	Code list identification code	C an..17	N	Not used			
3055	Code list responsible agency code	C an..3	N	Not used			
8178	Transport means description	C an..17	N	Not used			
C040	Carrier	C	C				
3127	Carrier identifier	C an..17	C an..17	ON/PRE-CARRIER CODE Code list: https://tools.sars.gov.za/ACM_code_Tables/Carrier*.csv	O	O	In the case of transshipment cargo – the code of the Carrier who is undertaking the transshipment in terms of the bill of lading issued by that carrier
1131	Code list identification code	C an..17	C an..17	172 = Carrier Code			
3055	Code list responsible agency code	C an..3	C an..3	20 = BIC (Bureau International des Containeurs) 87 = Assigned by carrier 166 = US, National Motor Freight Classification Association 184 = AU, ACOS (Australian Chamber of Shipping)			
3126	Carrier name	C an..35	N	Not used			
8101	Transit direction indicator code	C an..3	N	Not used			
C401	Excess transportation information	C	N				
8457	Excess transportation reason code	M an..3	N	Not used			
8459	Excess transportation responsibility code	M an..3	N	Not used			
7130	Customer shipment authorisation identifier	C an..17	N	Not used			
C222	Transport identification	C	C				
8213	Transport means identification name identifier	C an..35	C an..9	ON/PRE-TRANSPORT ID	O	O	The Radio Call Sign of the Vessel that brought the transshipment cargo to the Republic, or on which the transshipment cargo will leave the Republic, as applicable
1131	Code list identification code	C an..17	C an..17	103 = Radio Call Sign			
3055	Code list responsible agency code	C an..3	C an..3	11 = Lloyd's register of shipping ZZZ = Mutually defined			
8212	Transport means identification name	C an..70	N	Not used			
8453	Transport means nationality code	C an..3	N	Not used			
8281	Transport means ownership indicator code	C an..3	N	Not used			
C003	Power type	C	N				

No = Consecutive segment number
 MaxOcc = Maximum occurrence of the segment/group
 Counter = Counter of segment/group within the standard
 St = Status
 EDIFACT: M=Mandatory, C=Conditional
 User specific: M=Mandatory, O=Optional, C=Conditional

		Standard	Implementation		98	270	Business Rules
Tag	Name	St Format	St Format	Usage / Remark			
7041	Power type code	C an..3	N	Not used			
1131	Code list identification code	C an..17	N	Not used			
3055	Code list responsible agency code	C an..3	N	Not used			
7040	Power type description	C an..17	N	Not used			

Remark:

Example:

TDT+30+AFSFS67467768+1++GEFD::20+++FDGF6775:::11'

No = Consecutive segment number
 MaxOcc = Maximum occurrence of the segment/group
 Counter = Counter of segment/group within the standard

St = Status
 EDIFACT: M=Mandatory, C=Conditional
 User specific: M=Mandatory, O=Optional, C=Conditional

Counter No	Tag	St	MaxOcc	Level	Name
0540	SG13	C	9	3	LOC
0550 25	LOC	M	1	3	Place/location identification

		Standard	Implementation		98	270	Business Rules
Tag	Name	St Format	St Format	Usage / Remark			
LOC							
3227	Location function code qualifier	M an..3	M an..3	7 = Place of delivery			
C517	Location identification	C	C				
3225	Location identifier	C an..35	C an5	ON/PRE-PLACE OF DELIVERY	O		
1131	Code list identification code	C an..17	C an..17	139 = Port			
3055	Code list responsible agency code	C an..3	N	Not used			
3224	Location name	C an..256	N	Not used			
C519	Related location one identification	C	N				
3223	First related location identifier	C an..35	N	Not used			
1131	Code list identification code	C an..17	N	Not used			
3055	Code list responsible agency code	C an..3	N	Not used			
3222	First related location name	C an..70	N	Not used			
C553	Related location two identification	C	N				
3233	Second related location identifier	C an..35	N	Not used			
1131	Code list identification code	C an..17	N	Not used			
3055	Code list responsible agency code	C an..3	N	Not used			
3232	Second related location name	C an..70	N	Not used			
5479	Relation code	C an..3	N	Not used			

Remark:

Example:

LOC+7+ZAJNB:139'

Counter No	Tag	St	MaxOcc	Level	Name
0200	SG6	C	9999	1	EQD-RFF-TMD-DTM-SG7-MEA-SEL-SG12-NAD
0570 26	NAD	C	9	2	MASTER CARGO CARRIER CODE

		Standard	Implementation		98	270	Business Rules
Tag	Name	St Format	St Format	Usage / Remark			
NAD							
3035	Party function code qualifier	M an..3	M an..3	CF = Container operator/lessee			
C082	Party identification details	C	C				
3039	Party identifier	M an..35	M an..17	MASTER CARGO CARRIER CODE Only supplied should the Container Operator differ from the Carrier. https://tools.sars.gov.za/ACM_code_Tables/MasterCargoCarrier*.csv	O	O	The BIC, SCAC or SARS-assigned code of the Carrier that issued the Master / Ocean Bill of Lading The IATA or SARS-assigned code of the Carrier that issued the Master Air Waybill. The SARS-assigned code of the Carrier that reports the Road Freight Manifest The SARS-assigned code "TFR" for Transnet Freight Rail as Rail Carrier For courier cargo where the courier has an IATA airline code reflect that code here. Where the courier does not have an IATA airline code reflect code "000" here The SARS-assigned code of the Broker where a Master House is reported – i.e. in the case of sub-consolidations
1131	Code list identification code	C an..17	N	Not used			
3055	Code list responsible agency code	C an..3	N	Not used			
C058	Name and address	C	N				
3124	Name and address description	M an..35	N	Not used			
3124	Name and address description	C an..35	N	Not used			
3124	Name and address description	C an..35	N	Not used			
3124	Name and address description	C an..35	N	Not used			
3124	Name and address description	C an..35	N	Not used			
C080	Party name	C	N				
3036	Party name	M an..70	N	Not used			
3036	Party name	C an..70	N	Not used			
3036	Party name	C an..70	N	Not used			
3036	Party name	C an..70	N	Not used			
3036	Party name	C an..70	N	Not used			
3045	Party name format code	C an..3	N	Not used			
C059	Street	C	N				
3042	Street and number or post office box identifier	M an..35	N	Not used			
3042	Street and number or post office box identifier	C an..35	N	Not used			
3042	Street and number or post office box identifier	C an..35	N	Not used			
3042	Street and number or post office box identifier	C an..35	N	Not used			
3164	City name	C an..35	N	Not used			
C819	Country subdivision details	C	N				
3229	Country subdivision identifier	C an..9	N	Not used			
1131	Code list identification code	C an..17	N	Not used			
3055	Code list responsible agency code	C an..3	N	Not used			
3228	Country subdivision name	C an..70	N	Not used			
3251	Postal identification code	C an..17	N	Not used			

No = Consecutive segment number
 MaxOcc = Maximum occurrence of the segment/group
 Counter = Counter of segment/group within the standard
 St = Status
 EDIFACT: M=Mandatory, C=Conditional
 User specific: M=Mandatory, O=Optional, C=Conditional

		Standard	Implementation				
Tag	Name	St Format	St Format	Usage / Remark	98	270	Business Rules
3207	Country identifier	C an..3	N	Not used			

Remark:

Example:

NAD+CF+HJKL'

No = Consecutive segment number

MaxOcc = Maximum occurrence of the segment/group

Counter = Counter of segment/group within the standard

St = Status

EDIFACT: M=Mandatory, C=Conditional

User specific: M=Mandatory, O=Optional, C=Conditional

Counter	No	Tag	St	MaxOcc	Level	Name
---------	----	-----	----	--------	-------	------

0580 27 **CNT** C 1 0 Control total

		Standard	Implementation		98	270	Business Rules
Tag	Name	St Format	St Format	Usage / Remark			
CNT							
C270	Control	M	M				
6069	Control total type code qualifier	M an..3	M an..3	16 = Total number of equipment			
6066	Control total quantity	M n..18	M n..18	NUMBER OF CONTAINERS Total number of containers in this message.	M	M	
6411	Measurement unit code	C an..8	N	Not used			

Remark:

Example:

CNT+16:1'

Counter	No	Tag	St	MaxOcc	Level	Name
0590	28	UNT	M	1	0	Message trailer

		Standard	Implementation		98	270	Business Rules
Tag	Name	St Format	St Format	Usage / Remark			
UNT							
0074	Number of segments in a message	M n..10	M n..10				
0062	Message reference number	M an..14	M an..14				

Remark:

Example:
UNT+5+1212121212'

No = Consecutive segment number
 MaxOcc = Maximum occurrence of the segment/group
 Counter = Counter of segment/group within the standard
 St = Status
 EDIFACT: M=Mandatory, C=Conditional
 User specific: M=Mandatory, O=Optional, C=Conditional

Counter	No	Tag	St	MaxOcc	Level	Name
0000	29	UNZ	M	1	0	Interchange trailer

		Standard	Implementation		98	270	Business Rules
Tag	Name	St Format	St Format	Usage / Remark			
UNZ							
0036	Interchange control count	M n..6	M n..6				
0020	Interchange control reference	M an..14	M an..14				

Remark:

Example:
UNZ+1+1234567890'

No = Consecutive segment number
 MaxOcc = Maximum occurrence of the segment/group
 Counter = Counter of segment/group within the standard
 St = Status
 EDIFACT: M=Mandatory, C=Conditional
 User specific: M=Mandatory, O=Optional, C=Conditional